

PAINT GUIDE

TO PAINT YOUR MODEL YOU MAY WISH TO FIRST PRIME THE KIT. THIS WILL FURTHER ENSURE THE ADHESION OF PAINT, AND MAY PREVENT RUB-OFF OF PAINT WITH NORMAL HANDLING. THE MARKINGS AND COLORS OF YOUR MODEL ARE AS FOLLOWS:

BODY	WEDGEWOOD BLUE (LT. BLUE)
HEADLIGHT PANEL\	LOWER SECTION - FLAT BLACK UPPER SECTION - SILVER / ALUMINUM
RIBBED PANEL	FLAT BLACK
LEGS & FEET	FLAT RED
A) PADDING	FLAT BLACK
B) RETAINING PLATE	SILVER / ALUMINUM
LOWER SECTION BODY	FLAT RED
ARM MAIN BODY	FLAT RED
A) HAND / HOOK	SILVER / ALUMINUM
INSET CONTROL PANELS	FLAT BLACK
KNOBS	SILVER / ALUMINUM
PROGRAM TAPES	YELLOW

FOR A MORE REALISTIC PAINT JOB SUBTLE BLACK WASHES COMBINED WITH DRY BRUSHING WILL PULL MORE DETAIL OUT OF YOUR KIT! REMEMBER TO SEAL YOUR WORK WITH TESTORS @ DULL COTE BETWEEN WASH AND DRY BRUSH

I HOPE THAT THIS KIT HAS PROVEN TO BE AN ENJOYMENT AND WELL WORTH THE INVESTMENT. IF YOU HAVE ANY SUGGESTIONS, OR COMMENTS PLEASE GIVE MODEL PRISONERS A CALL AT (317) 898-2206
RUSSELL RANEY

Thanks to these people:

Cast by: Lil' Monsters
Sculpted by: Russell Raney
Artwork by: Nick Nix

This kit is dedicated to my wife Patty, for without her understanding, this kit would never have been made.

Russ Raney / Model Prisoners



"WE'RE IN IT FOR LIFE!"

© COPYRIGHT 1999 / Model Prisoners

SPECIALIZING IN
CLASSIC SCI-FI MODELING

CONTACT US AT:

MAIL: MODEL PRISONERS
9608 EAST 9TH STREET
INDIANAPOLIS, INDIANA 46229

PHONE: 317.898.2206

WEB: WWW.MODELPRISONERS.COM

E-MAIL: RUSS@MODELPRISONERS.COM

MODEL PRISONERS

presents

DRONE



Welcome to MODEL PRISONERS model kit of **THE DRONE**. This model has been painstakingly produced to provide the modeler with enjoyment through quality.

© COPYRIGHT 2003 / Model Prisoners

INSTRUCTIONS FOR ASSEMBLING

DRONE

- LIST OF PARTS:**
- | | |
|-----------------------------|----------------------------|
| 1 - MAIN BODY | 1 - HEADLIGHT PANEL |
| 1 - RIGHT LEG | 1 - HEADLIGHT LENS |
| 1 - LEFT LEG | 1 - ARM ASSEMBLY |
| 2 - FLAT FEET | 1 - 18 INCH LENGTH OF HOSE |
| 1 - TOE TAP FOOT (optional) | (not shown below) |

The hose should be cut into six 3 inch sections! One end is glued to the junction box on either side (three per side) use your imagination for best placement of the other ends!

PLEASE CONTACT US IF ANY PART IS MISSING OR DAMAGED!

INSPECT YOUR MODEL FOR POUR PLUGS AND SEAMS LEFT BY THE MOLDING PROCESS. WITH A HOBBY KNIFE CAREFULLY REMOVE THE PLUGS AND SEAMS, BEING CAUTIOUS NOT TO REMOVE ANY SURROUNDING DETAIL. TEST FIT PARTS AS YOU GO ALONG.

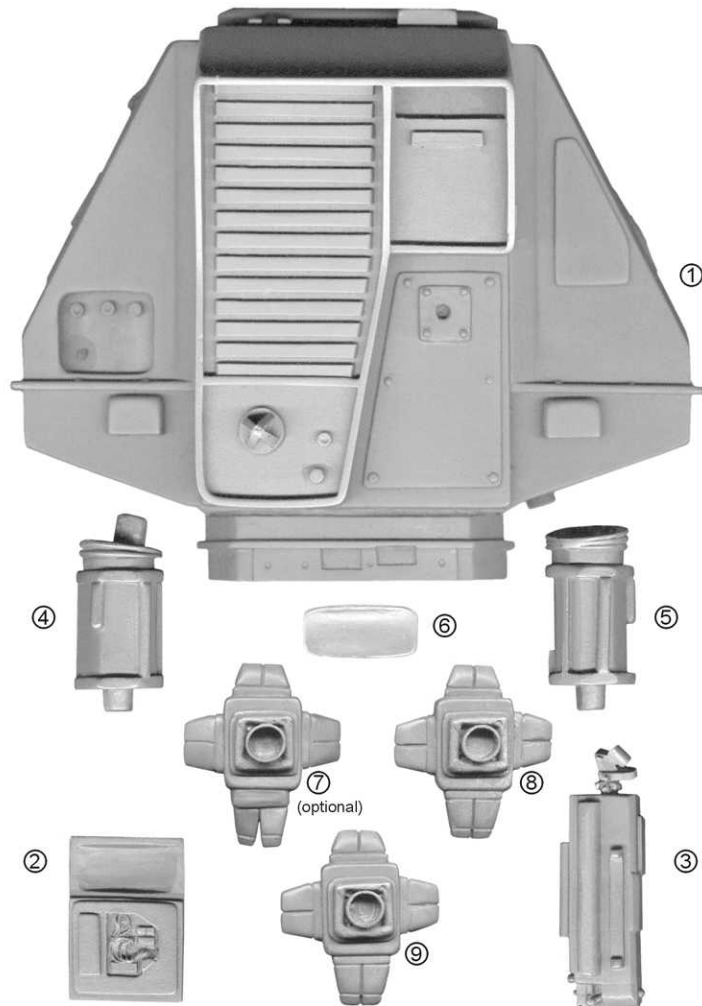
WASH ALL PARTS IN WARM WATER AND DISH-SOAP SOLUTION (THIS WILL REMOVE ANY MOLD RELEASE AGENTS). LET THE PARTS AIR DRY, AND AFTERWARDS TRY NOT TO OVERLY HANDLE THE PARTS AS THE NATURAL OILS OF THE SKIN MAY DETER ADHESION OF PAINT.

01 02 03

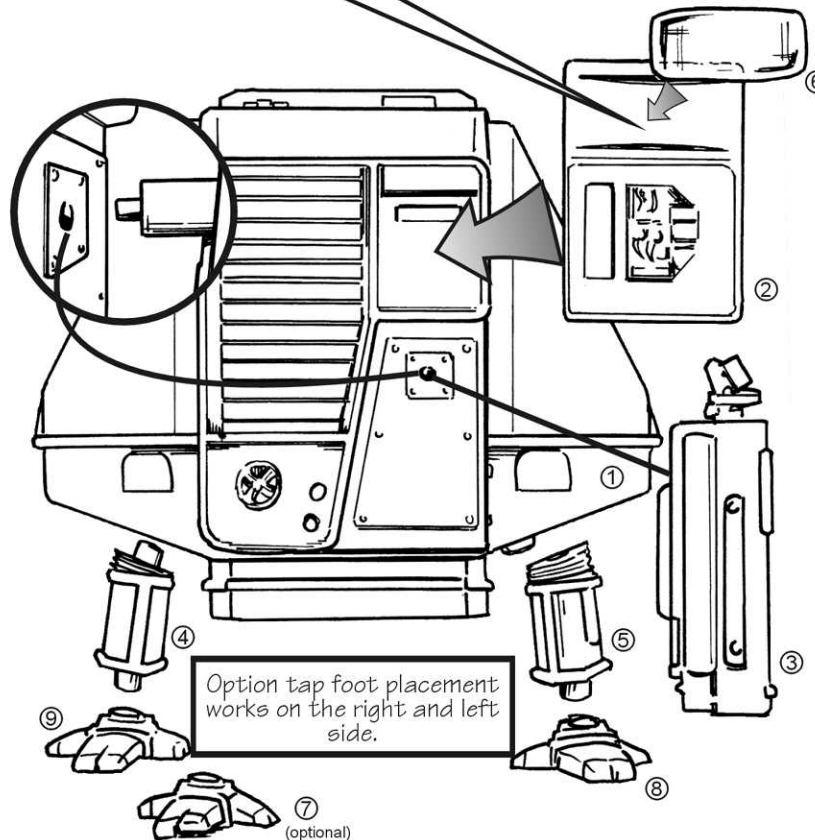
DRONE NUMBER TEMPLATE SIZE

Important Note:

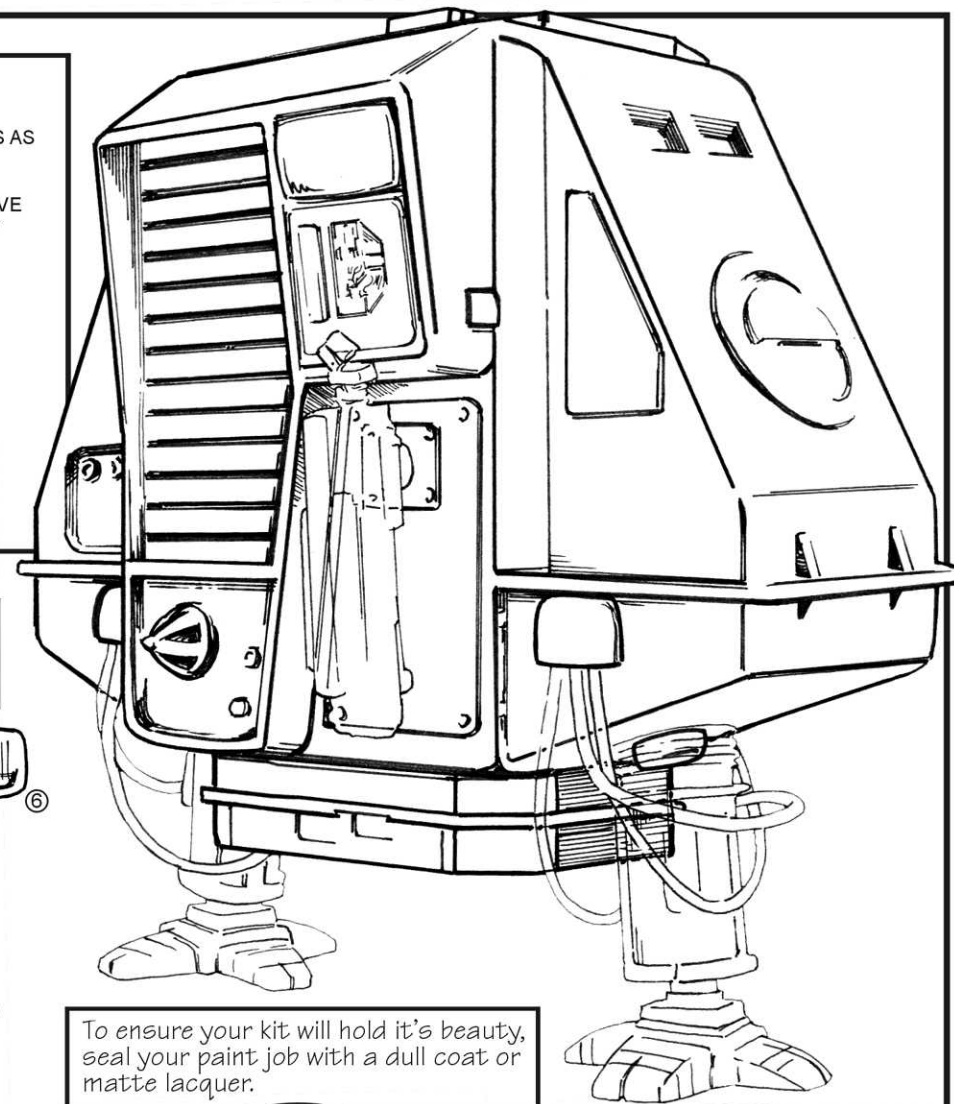
We recommend using a clear drying white water based glue to attach the lens. Super glue causes hazing on clear parts.



NOTE: Hose section not shown.



Option tap foot placement works on the right and left side.



To ensure your kit will hold it's beauty, seal your paint job with a dull coat or matte lacquer.



HOSE DETAIL

There is no particular location for hose placement on this kit. Hoses shown were used on the prototype and connect to rear under carriage of leg segments.